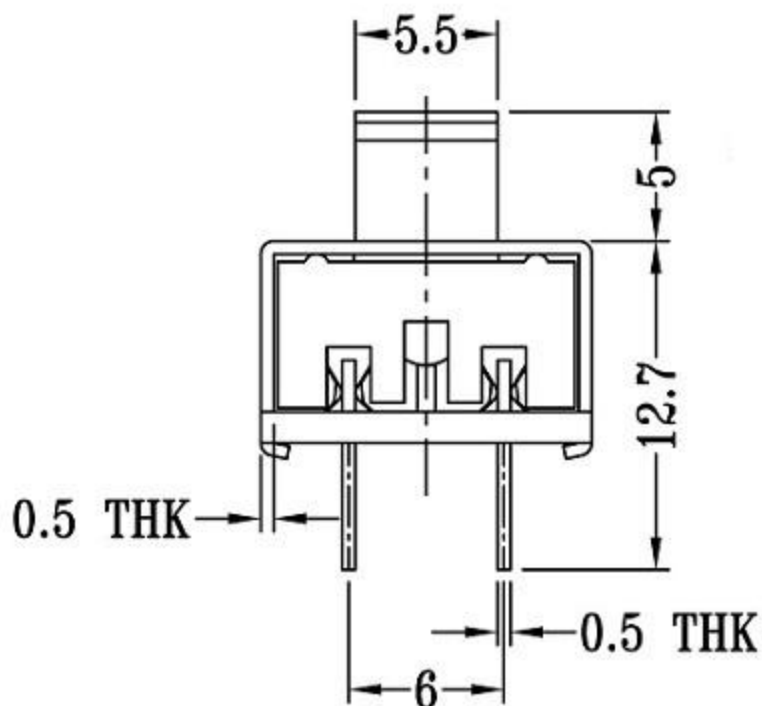
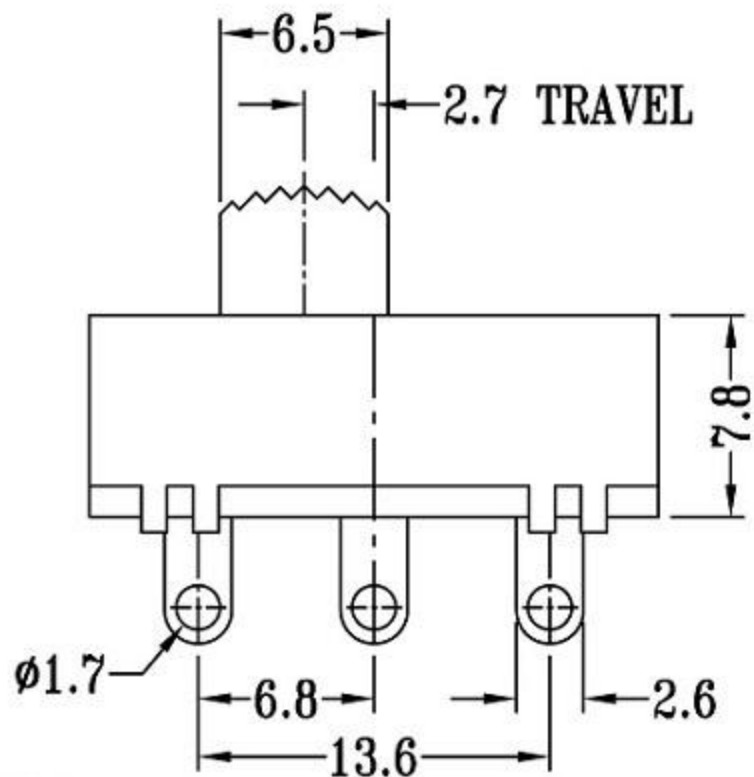
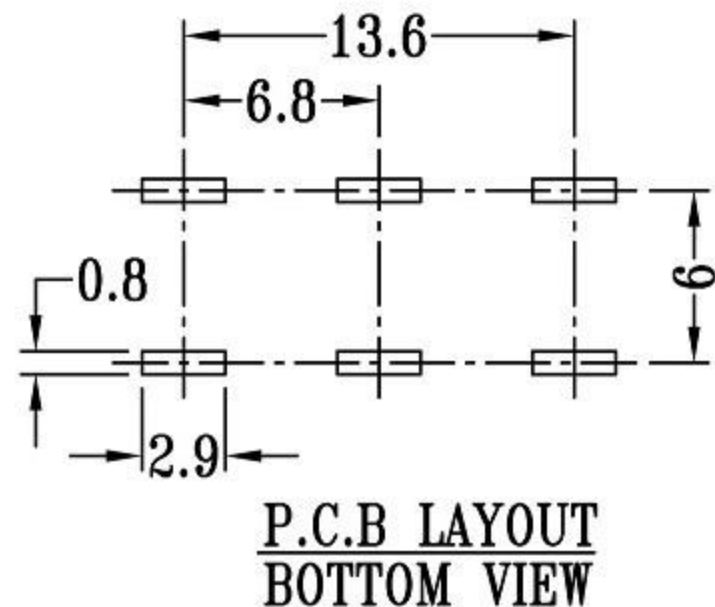
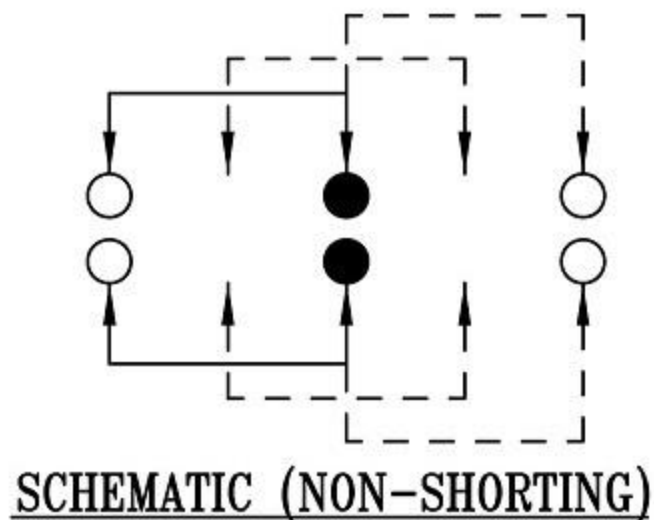
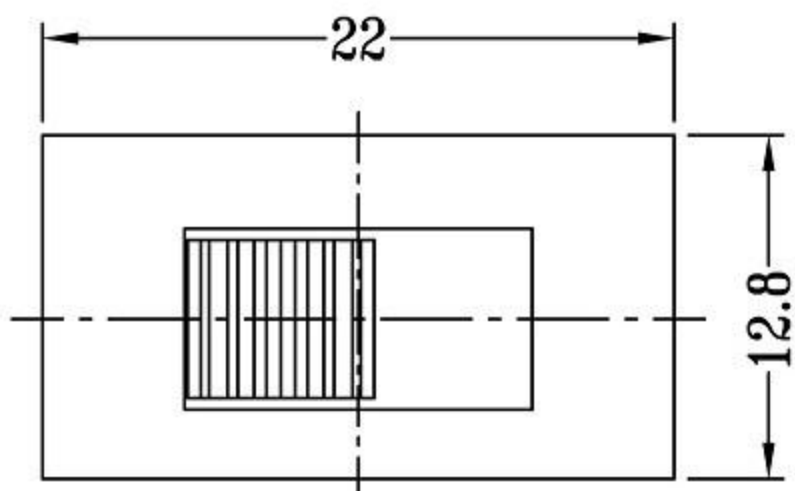


CAD FILE:



拨动开关立式技术参数:

1. 额定负荷: AC 125V 250V 3A 6A
2. 接触阻抗: $\leq 50m\Omega$
3. 绝缘阻抗: $\geq 100m\Omega$ DC500V
4. 耐焊温度: $250 \pm 5^\circ$ 5s
5. 使用寿命: 10,000 cycles
6. 使用温度: -25°C to 80°C
7. 使用湿度: $\leq 85\%$ RH
8. 操作力: 160gf 256gf 300gf 可定制
9. 手柄长度: 2mm-10mm 可定制

NO.	PARTS	MATERIALS	Q'TY	FINISH	TOLERANCE UNLESS SPECIFIED		A 2012-10-28		初版	
					WITHIN	ISSUE	DATE	DESCRIPTIONS OF REVISION		
					OVER			APPD.		
8										
7	STEEL BALL	STEEL	1	NATURAL						
6	SPRING	STEEL WIRE	1	NATURAL						
5	CONTACT CLIP	PBS STRIP	2	Ag PLATED						
4	TERMINAL	BRASS STRIP	8	Ag PLATED	TITLE : VERTICAL SLIDE SWITCH			UNIT : mm	DRWG NO.:	
3	BASE	PHENOLIC RESIN	1	NATURAL	MODEL:			SCALE: 3:1	DWN.	2012-10-28
2	FRAME	STEEL STRIP	1	Ni PLATED	东莞市黄江兆盛开关厂			CHK'D		2012-10-26
1	KNOB	POM	1	BLACK				APPD.		2012-10-26